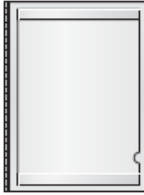


1. Airgas Life Safety Box



Sign Type L/B
Life Safety Box

Airgas Safety cabinet (Part No. 4100-DX), Description: Allegro Industries, Document Door Case Metal, 13.25” x 9.875” x 1.0625” with metal hinge clip on side; on inside walls: rubber paper holders attached to corners

Cabinet has all surfaces painted “Silver”. Chemetal® has a satin silver finish, horizontal grain.

Supplier: Airgas Safety, Inc. Contact Airgas Customer Service (800.931.4327). Cabinets are available in quantities of 25. In July 2015, contact was Derrick Cowell (800-678-2878 x 5663, \$139/ea)

Sold separately by a signage company: Insert holder is adhesive-mounted to the face of the cabinet and accepts a standard 8.5” x 11” paper insert. Acrylic insert face is clear non-glare. Acrylic spacers are clear. 0.125” thick clear non-glare acrylic, 0.125” thick Chemetal® Satin Silver Aluminum #909, 0.0625” thick clear acrylic spacer. (See Spec Diagram below)

1. Grey Electrical Enclosure NEMA box

Company: Weigmann
Grainger (SmartMart 2018 price)

Metallic Screw On Enclosure with Solid Cover



For extra security, these enclosures feature screw-on covers to help prevent tampering. They are ideal for protecting electrical wiring and components against various hazards, such as falling dirt, windblown dust, dripping water, and splashing of oil and noncorrosive agents. Select models based on NEMA rating for your specific application.

Brands
WIEGMANN

Nominal Enclosure Height	Nominal Enclosure Width	Nominal Enclosure Depth	Enclosure NEMA Rating	Material of Enclosure	Item #	Price
Closure Method: Padlockable Hasp, Screws; Knockouts: Yes						
15"	12"	4"	3R	Carbon Steel	2W833	\$55.79 / each
15"	12"	6"	3R	Carbon Steel	4DMT8	\$74.09 / each

2. White or black plastic real estate box with clear cover (2018 price)

Company: SMS Products and Displays
Phone#: 800-438-8382
Catalog#: 136-1NOPRINT or 136-1BLACKNOPRINT
Website: <http://www.smsproducts.com/>
Order: Minimum purchase of 6
Cost: \$9.95/box



3. Outdoor Gray fiberglass box with window (2018 price)

Company: Vynckier
Catalog # VJB1210HWPL2



VJB1210HWPL2

\$270.60

SKU: VJB1210HWPL2
[All Products](#), [Fiberglass \(FRP\) NEMA 4X Enclosures](#), [VJ Fiberglass \(FRP\) NEMA 4X Enclosures](#), [VJB - Bonded window cover fiberglass \(FRP\) NEMA 4X enclosures](#)

VJB1210HWPL2 Bonded Window Cover NEMA 4X Enclosure with 2 Stainless Steel Padlock Latches and Stainless Steel Hinge

Exterior Dimensions: 13.32 x 11.32 x 5.60

Interior Dimensions: 12 x 10 x 5.27

4. Justrite Document Storage Box

Red; Weather resistant polyethylene; OSHA compliant; Large Front Opening with label area.

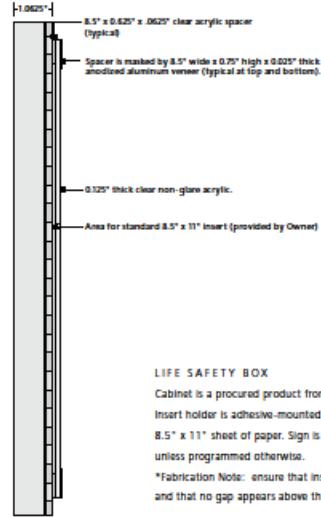
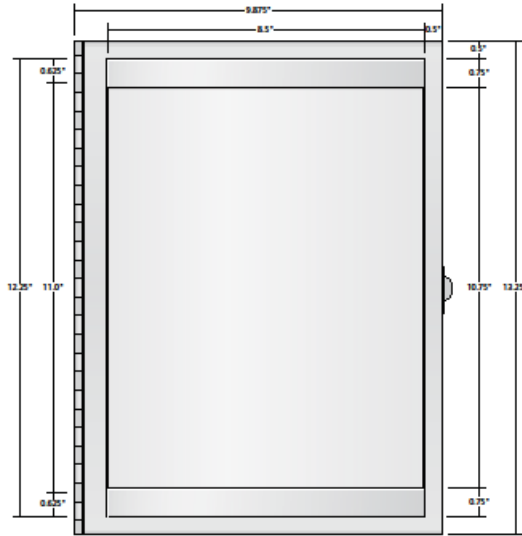
Company: Justrite

Fisher Scientific (SmartMart, 2018 price)

Model #23303 – 1.62 x 8.75 x 11.5 in. - \$45.95 each



Specifications for Airgas Life Safety Box:



LIFE SAFETY BOX

Cabinet is a procured product from Airgas Safety, Inc, custom paint color.
 Insert holder is adhesive-mounted to face of cabinet and accepts a standard 8.5" x 11" sheet of paper. Sign is screw-mounted to wall 1" below Sign Type R-1 unless programmed otherwise.
 *Fabrication Note: ensure that insert space allows paper to slide in smoothly and that no gap appears above the inserted page.

SIDE VIEW

There are (46) forty-six signs programmed in the Message Schedule. Cabinets are available in quantities of 25. In addition to programmed signs, provide and install an additional (29) twenty-nine to bring the total to (75); Owner to provide locations for unprogrammed signs.

 <p>Anderson Design, Inc. 106 Riverstone Blvd 820 PM The Mills Ave Phone: 503-263-2500 Fax: 503-263-2628</p>	<p><small>This drawing and other drawings produced for this project are considered "intent drawings." Some interpretation may be necessary in order to fabricate a finished product. Under interpretation, fabricator accepts the responsibility for materials, fabrication, engineering and installation. Colors are shown for reference only, and are subject to the limitations of the printing process. All photographs and related figures shown are for reference only, and do not necessarily reflect actual site conditions. Locations shown are approximate. Final build: see to the department or the Sign Manager shown in drawings for reference only. Refer to Message Schedule for actual message.</small></p>		<p>STANFORD UNIVERSITY OF MEDICINE</p> <p>1651 Page Mill Renewal</p>	<p>Scale: 1/2" = 1" (except as noted)</p> <p>July 2015</p>	<p>SIGN DRAWING Sign Type L-B</p> <p>Page S-LB.1</p>
---	--	---	---	--	--