



FlexMOUNT

Bio Locking Straps with 2" x

2" base buckle

With 3M® VHB (very high bond) adhesive



Part #
D.FM.T4.2
Color: black

Use for:
Countertop equipment
weighing < 15 lbs

- Kit Contains:**
- 2) 12" Bio Straps with carabiners
 - 2) Thumb Lock 1" x 2" fasteners with 3m VHB (very high bond) adhesive
 - 2) surface prep pads
 - 1) Instruction sheet

IMPORTANT INFORMATION

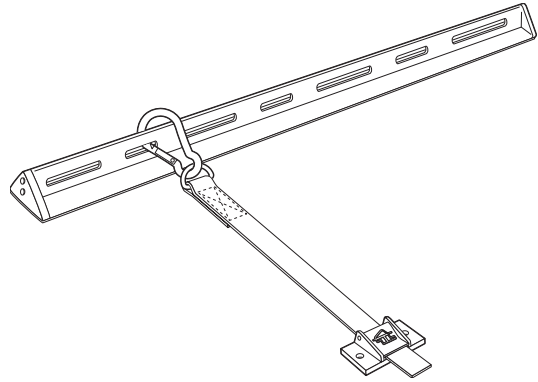
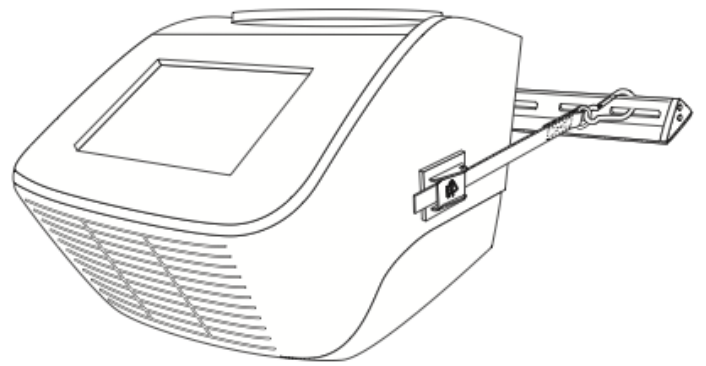
Bio Locking Straps are designed to be used on equipment sitting on a flat surface. They are not intended to hold weight with vertical (hanging) tension. The adhesive is not effective on wallpaper, wallboard, leather, or fabric-covered surfaces.

Prior to application of adhesive, equipment and tabletop surfaces must be properly prepared. There are non-visible particles that need to be removed prior to application of adhesive. Use the provided surface prep pads (70% isopropyl alcohol) and follow the installation instructions. If extensive surface preparation is required, use bottled 70% isopropyl alcohol (available in most drug stores) and a terry cloth towel.

Items taller than they are wide may require two attachment kits.

ARE THERE ANY GUARANTEES? Ready America® products are engineered and tested to meet anticipated quake stresses and significantly reduce the risk of damage and injury during an earthquake. Unfortunately, the forces of nature are great and unpredictable. Therefore, the performance of these products can not be unconditionally guaranteed under earthquake conditions. Neither seller nor manufacturer shall be liable for any injury, loss, or damage, direct or consequential, arising out of the use of, misuse of, or inability to use the product. Ready America's only obligation shall be to replace its defective products prior to installation. Before using, user shall determine the suitability of the product for its intended use and shall only use the product after following instructions for use.

Copyright© January 2012 Ready America, Inc., Escondido, CA
Ready America® is a registered trademark of Ready America, Inc.
QuakeHold!™ is a trademark of Ready America, Inc.
3M® is a registered trademark of the 3M Corporation
Customer Service/Product Information/Instruction Sheets/
7/02/13 QH-D.FM.T2.2



NOTE: Flex Mount Bar **NOT** included with kit. Order FlexMOUNT Bars as Part number: **D.FM.BAR6**

INSTALLATION INSTRUCTIONS

1. Position the equipment on the countertop in the desired location.
2. Snap the fasteners to the FlexMOUNT Bar so that they come straight out to the side of the equipment.
3. Position the buckle on the side of the equipment with a small amount of slack in the strap.
4. Using the provided surface prep pads, vigorously scrub the surface where the buckles are to be adhered. Wipe dry with a terry cloth or paper towel. **The surfaces must be completely dry.**
5. Remove release paper from the back of the buckle and place adhesive on the desired location. **Do not touch adhesive;** skin oils make the adhesive less effective. Firmly press the 3M onto the equipment. **The greater the pressure, the stronger the bond.**
6. Using a wood dowel, press vigorously on both sides and center of buckle.
7. Repeat Steps 1 through 5 for the remaining buckle.
8. Do not disturb fasteners for 72 hours. This is the adhesive curing time.